

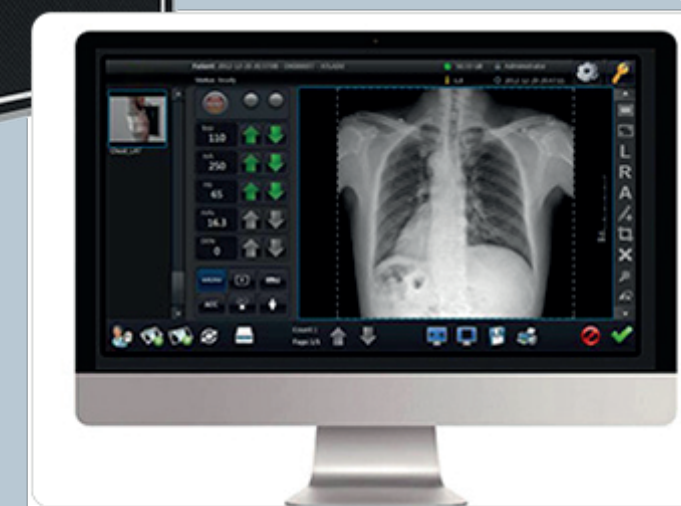


DFLMED

EQUIPAMIENTO MÉDICO



DISTRIBUIDOR OFICIAL



17 x 17
Wireless Cassette

MSL CV17

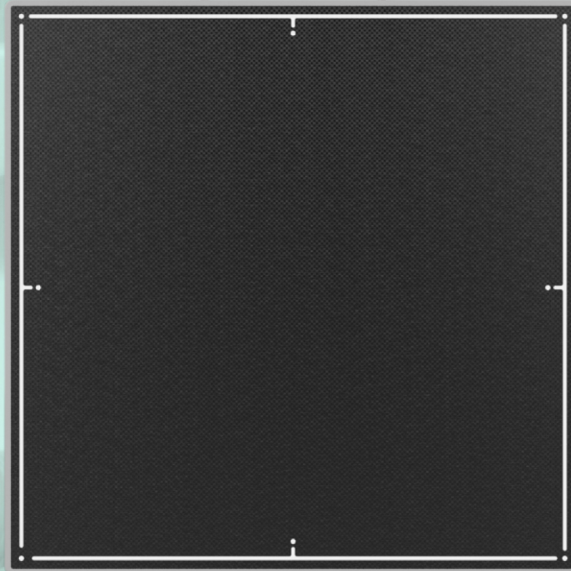


✉ contacto@dflmed.cl

📍 Antonio Bellet 193 OF 302, Providencia.

🌐 WWW.DFLMED.CL

WWW.DFLMED.CL



MSLCV17

17 x 17 Wireless Cassette



Easier Imaging

High-performance digital X-ray detectors designed for ease of use and safe transport. The magnetic handle provides convenient portability and can fold into the panel for quick compatibility with standard bucky trays.



Versatile Hardware

Durable construction for stable long-term performance. Flexible AED allows advanced diagnostic technology to be used with all types of X-ray systems.



Advanced Technology

Cesium iodide crystals grown in-house and hermetically sealed in packaging. More efficient low dose care with patented imaging technology.



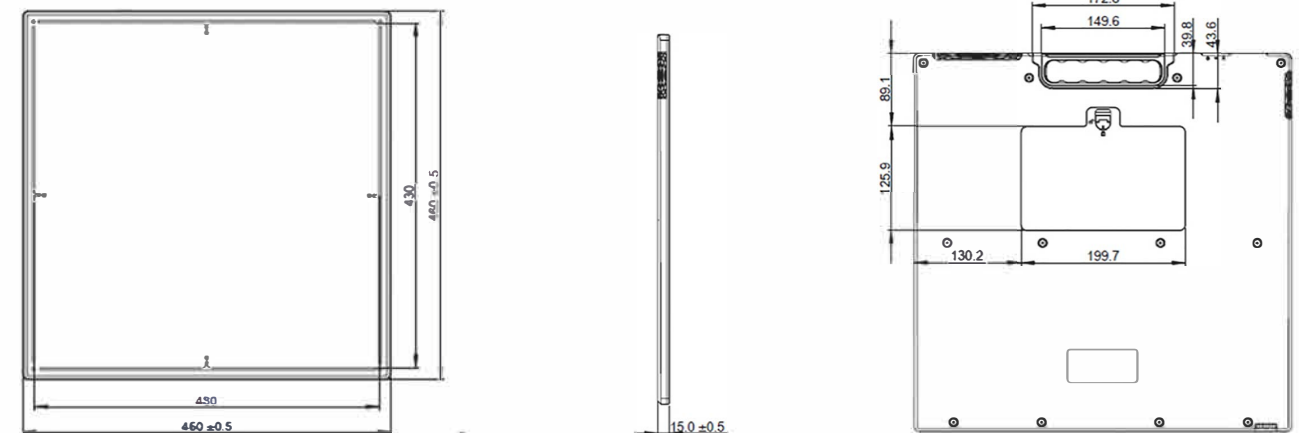
Perfectly Balanced Care

Our newly designed 140µm TFT/PD panel. A precise balance of engineering factors perfectly built for highly detailed diagnostic imaging.

MSLCV17 Specifications

| Sensor | |
|-----------------------------|--|
| Scintillator | Direct-Deposit CsI |
| Active Area | 430 x 430 mm |
| Pixel Array | 3072 x 3072 |
| Pixel Pitch | 140 µm |
| Image Quality | |
| Limiting Resolution | 3.57 lp/mm |
| MTF | ~ 63% (@ 1.0 lp/mm), ~ 35% (@ 2.0 lp/mm), ~ 17% (@ 3.0 lp/mm), ~ 10% (@ 3.5 lp/mm) |
| DQE (@ RQA 5, 27 µCy) | ~ 62% (@ 0.0 lp/mm), ~ 50% (@ 0.5 lp/mm), ~ 45% (@ 1.0 lp/mm), ~ 38% (@ 1.5 lp/mm) ~ 32% (@ 2.0 lp/mm), ~ 24% (@ 2.5 lp/mm), ~ 17% (@ 3.0 lp/mm), ~ 10% (@ 3.5 lp/mm) |
| Maximum Linear Dose | 70 µCy |
| Dynamic Range | > 80 dB |
| Lag | < 0.02% (60 seconds after exposure) |
| A/D Conversion | 16 bits |
| Communication Interface | |
| Communication Interface | Gigabit Ethernet, WiFi (2.4/5 GHz) |
| Wire Image Acquisition Time | 2 - 4 s |
| Exposure Control | F²AED, Manual Sync, Software Sync |
| Environmental | |
| Operating Environment | Natural Cooling |
| Temperature Range | Operating: 5 - 35°C, Storage: -20 - 55°C |
| Humidity Range | Operating: 30 - 75% RH, Storage: 10 - 90% RH (Non-condensing) |
| Mechanical | |
| Dimensions | 460 x 460 x 15 mm |
| Weight | ~ 4.6 kg |
| Housing Material | High-strength aluminum alloy w/ carbon fiber imaging surface |
| Power | |
| Maximum Power | Max. 48VA |
| Power Supply | 100 - 240V AC |
| Frequency | 50/60 Hz |

Dimensions (mm)



Specifications and appearance of products are updated periodically in our development cycles, and are subject to change without prior notice. ©2020





- ✉ contacto@dflmed.cl
- 📍 Antonio Bellet 193 OF 302, Providencia.
- 🌐 WWW.DFLMED.CL

